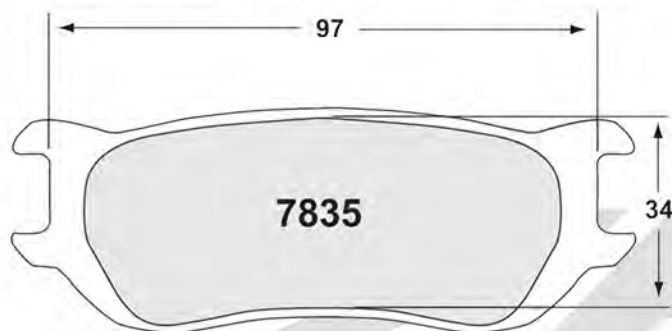


Common Applications: Dirt Late Model / Northeast Modifieds

Pad Shape	Thickness (mm)	Radial Depth (mm)	Calliper
7835	18	34	24
Additional Parts		Part Numbers	
Bleed Screw Kit		900.900.104.01	
Bleed Screw Insert Kit		900.900.104.02	
Seal Kit (255/290 Pistons)		900.900.100.28	
Piston Kit (255/290 Pistons)		900.900.103.24	
Radial Mount Bracket		120.109.237.01	
Radial Mount (Top Only) Bracket		120.040.451.01	



ZERO DRAG™ CALIPER

- **Aluminum Monobloc Design**
- **Lightweight, 3lbs Total**
- **Internal Crossover Tube**
- **Radial Mount**
- **Piston Insulators**

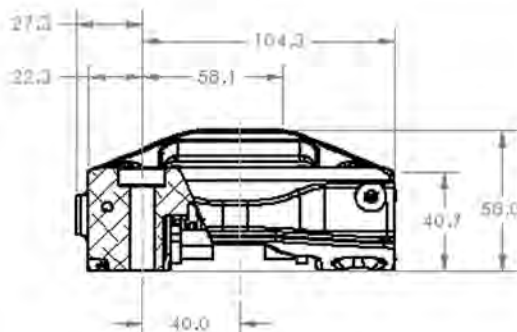
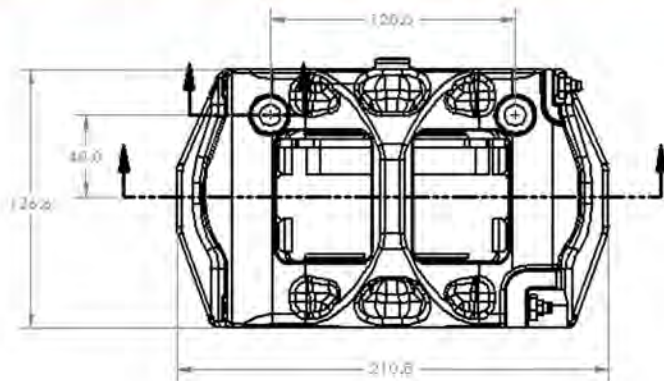


ZR24 CALIPER SPECIFICATIONS

Common Applications: Dirt Late Model / Northeast Modifieds

Description	Dimensions/Weights
Mount Dim. (mm)	120 x 40
Piston Sizes (mm)	25.5 / 29.0
Piston Area Per Side (mm ²)	1171.22
Max Disc Dia (mm)	284
Max Disc Thickness (mm)	20
Min Disc Thickness (mm)	18
Max Pad Thickness	18
Fluid Capacity (cm ³)	32.3
Max Operating Pressure	103 bar / 1500 psi
Pad Shape	7835, 7827, 7943, 7878
Pad Area Per Side (cm ²)	28.13, 30.64
Caliper Weight	1.27kg / 2.8lbs

Description	Part Number
Leading Left	24.284.255.290.01A
Leading Right	24.284.255.290.02A
Trailing Left	24.284.255.290.11A
Trailing Right	24.284.255.290.12A



Stud Diameter
Min Locating $\varnothing 9.975\text{mm}$
Max $\varnothing 10.025\text{mm}$

PFC
BRAKES

ZERO DRAG™



www.pfcbrakes.com
800.521.8874